



LINEPROOF[®]
ENGINEERING INDIA PVT. LTD.



SERIES ANSI LP301



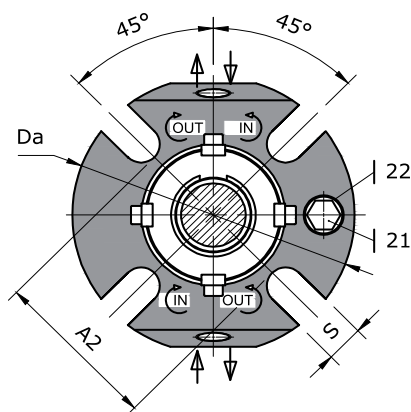
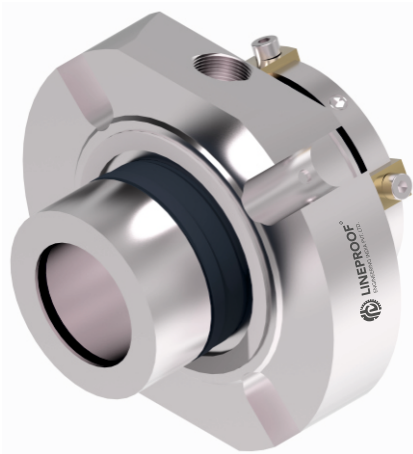
we are loyal to our customers...

www.lineproofengg.com



SERIES ANSI LP301

Mechanical Seals / Mechanical Seals for Pump / Standard Cartridge Seals ANSI Dual Mechanical Seal



Machined cover version

STANDARD STYLE

FACE MATERIAL

Silicon carbide, Carbon graphite resin impregnated, Tungsten carbide

METAL PARTS

SS 316, SS 304,

SECONDARY SEAL

FKM, EPDM, FFKM, PTFE

SEAL CHARACTERISTICS

- Cartridge
- Balanced
- Independent of direction of rotation
- Stationary multiple springs
- Springs and pin located on the atmospheric side

APPLICATION

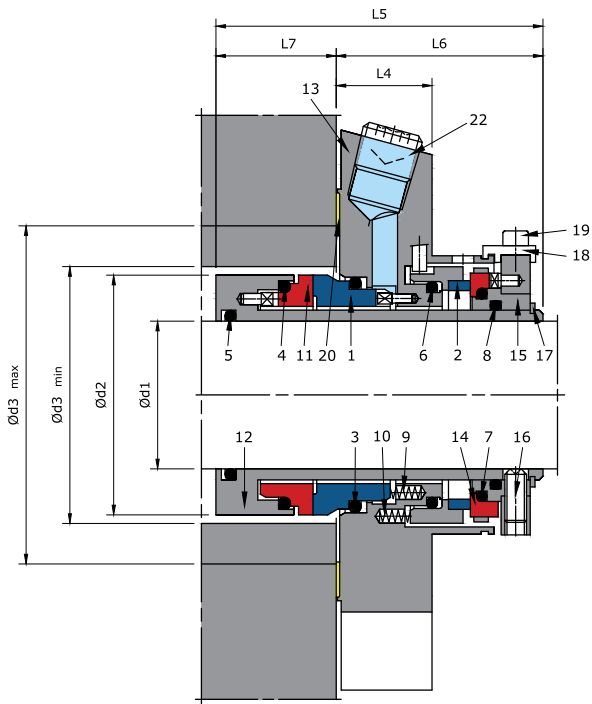
- Process industry
- Petrochemical industry
- Chemical industry
- Pharmaceutical industry
- Power plant technology
- Pulp and paper industry
- Water and waste water technology
- Mining industry
- Food and beverage industry
- Universally applicable
- ANSI process pumps

OPERATING LIMIT

Shaft Diameter $d1$: 1.000" ... 3.750"
Pressure p : 25 bar
Temperature t : -40 +220°C
Velocity v : 16 m/sec



SERIES ANSI LP301



PART NO.	DESCRIPTION
1	SEAL FACE
2	SEAL FACE
3	O-RING
4	O-RING
5	O-RING
6	O-RING
7	O-RING
8	O-RING
9	SPRING
10	SPRING
11	SEAT
12	SHAFT SLEEVE
13	COVER
14	SEAT
15	DRIVE COLLAR
16	SET SCREW
17	SNAP RING
18	ASSEMBLY FIXTURE
19	HSH CAP SCREW
20	GASKET
21	GASKET
22	SCREW PLUG

Big bore - Dimensions in inch

SEAL SIZE d1 ^{+0.000} _{-0.002}	d2	d3min.	d3max.	L4	L5	L6	L7	A1	Da	S	Connection
1.000	-	-	-	-	-	-	-	-	-	-	-
1.125	1.713	1.752	2.795	1.000	3.228	1.886	1.343	3.311	4.500	0.437	1/4 NPT
1.250	-	-	-	-	-	-	-	-	-	-	-
1.375	1.960	2.000	3.189	1.000	3.406	2.083	1.323	3.543	5.118	0.437	1/4 NPT
1.500	-	-	-	-	-	-	-	-	-	-	-
1.625	-	-	-	-	-	-	-	-	-	-	-
1.750	2.461	2.500	4.055	1.000	3.406	2.083	1.323	4.567	6.496	0.559	3/8 NPT
1.875	2.583	2.661	3.937	1.000	3.406	2.083	1.323	4.409	5.984	0.551	3/8 NPT
2.000	2.677	2.756	4.567	1.260	3.406	2.102	1.303	4.882	6.260	0.551	3/8 NPT
2.125	2.834	2.913	4.528	1.000	3.406	2.102	1.303	5.276	6.890	0.709	3/8 NPT
2.250	2.960	3.093	4.409	1.276	3.406	2.102	1.303	4.685	6.417	0.709	3/8 NPT
2.500	3.212	3.299	5.276	1.250	3.406	2.102	1.303	5.512	7.795	0.709	3/8 NPT
2.625	3.338	3.417	5.118	1.250	3.406	2.102	1.303	5.354	6.890	0.709	3/8 NPT
2.750	3.660	3.740	5.236	1.276	3.406	2.102	1.303	5.512	7.480	0.630	3/8 NPT
3.000	3.937	4.016	5.512	1.276	3.406	2.516	1.303	5.906	8.228	0.650	3/8 NPT
3.250	-	-	-	-	-	-	-	-	-	-	-

Standard bore - Dimensions in inch

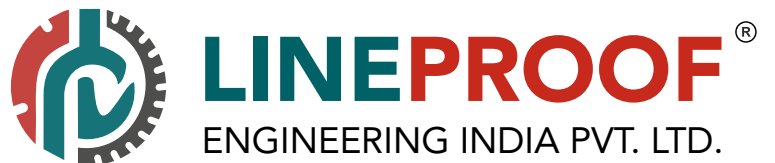
SEAL SIZE d1 ^{+0.000} _{-0.002}	d2	d3min.	d3max.	L4	L5	L6	L7	A1	Da	S	Connection
1.000	1.693	1.732	2.205	1.000	3.406	2.102	1.303	2.441	3.937	0.433	1/4 NPT
1.125	1.713	1.752	2.205	1.000	3.228	3.228	1.343	2.441	4.134	0.437	1/4 NPT
1.250	1.969	2.008	2.402	1.000	3.406	2.102	1.303	2.756	4.252	0.433	1/4 NPT
1.375	1.961	2.000	2.402	1.000	3.406	2.083	1.303	2.756	4.213	0.437	1/4 NPT
1.500	2.200	2.244	2.717	1.000	3.406	2.102	1.303	2.953	4.488	0.551	3/8 NPT
1.625	2.340	2.421	2.795	1.000	3.406	2.102	1.303	3.091	4.921	0.551	3/8 NPT
1.750	2.461	2.500	2.953	1.000	3.406	2.102	1.303	3.228	5.118	0.559	3/8 NPT
1.875	2.583	2.661	3.070	1.000	3.406	2.102	1.303	3.307	5.118	0.551	3/8 NPT
2.000	2.677	2.756	3.189	1.000	3.406	2.102	1.303	3.425	5.472	0.630	3/8 NPT
2.125	2.834	2.913	3.583	1.000	3.406	2.102	1.303	3.819	5.512	0.650	3/8 NPT
2.250	2.960	3.039	3.583	1.000	3.406	2.102	1.303	3.858	5.866	0.650	3/8 NPT
2.375	3.070	3.125	3.590	1.000	-	-	-	-	6.181	0.709	3/8 NPT
2.500	3.212	3.291	3.937	1.122	3.406	2.102	1.303	4.528	6.693	0.709	3/8 NPT
2.625	3.338	3.417	4.016	1.250	3.406	2.102	1.303	4.528	6.378	0.630	3/8 NPT
2.750	3.660	3.740	4.370	1.260	3.406	2.102	1.303	4.646	7.441	0.709	3/8 NPT
3.000	3.937	4.016	4.724	1.260	4.252	2.516	1.736	5.000	7.835	0.709	3/8 NPT
3.250	4.189	4.268	4.921	1.260	4.252	2.516	1.736	5.315	7.830	0.709	3/8 NPT
3.750	4.689	4.750	5.433	1.000	-	-	-	-	8.189	0.866	3/8 NPT



Follow us on



www.lineproofengg.com



 **VASAI, Maharashtra, INDIA.**

 **For Enquiries**
sales.er@lineproofengg.com
lineproofengg@gmail.com

 **For Suggestions / Feedback**
info@lineproofengg.com

 **Contact No.**
+91 9726057335
+91 9819013772

we are loyal to our customers...

www.lineproofengg.com