



LINEPROOF[®]
ENGINEERING INDIA PVT. LTD.



SERIES LPE WD200 /500



we are loyal to our customers...

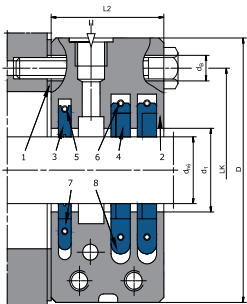


SERIES LPE WD200 / 500

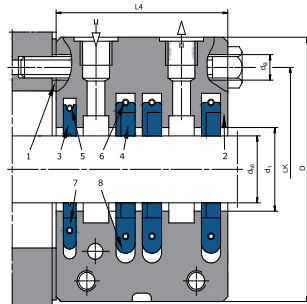
Carbon Floating Ring Seals / Shaft Seals Mechanical Seal



LPW-200/500-WD1S2 with barrier gas port.
The arrangement guarantees a focused barrier gas flow to the process side and keeps gases, solids and mists off the sealing area. In addition the leakage to the outside is reduced.



LPW-200/500-WD1S2A1 with barrier gas port and recirculation. The arrangement guarantees a focused barrier gas flow to the process side and keeps gases, solids and mists off the sealing area. In addition the leakage to the outside is reduced and residual gases and condensates will be purged.



STANDARD STYLE

FACE MATERIAL

Carbon graphite

METAL PARTS

SS 316, SS 304, Duplex

APPLICATION

- Chemical industry
- Waste incineration and removal industry
- Metal production and processing
- Pulp and paper industry
- Lime, cement and gypsum industry
- Food processing industry
- Power plant technology
- Machinery and plant building
- Gases
- Fumes and exhaust, solids containing, flammable (ATEX), acid containing and toxic gases
- (Solids containing) steams/liquid mist
- Oil mist/penetrating oil
- Water
- Medium-sized and large fans/blowers
- Bearing seals (gear box, motors)
- Steam turbines
- Mixers, agitators, dryers
- Mills (ball, hammer, beater mills)
- Centrifuges
- Cantilever pumps

OPERATING LIMIT

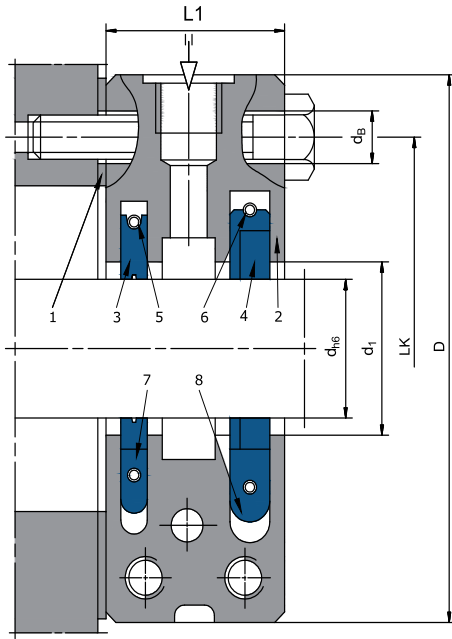
Shaft Diameter dh6 : 45mm...300mm
 Pressure p : 3 bar (max)
 Temperature t : -120 + 500°C
 Velocity v : 40 m/sec

SEAL CHARACTERISTICS

- Multi-part seal rings, radially cut on process side, overlapped mortised with gas tight joints on atmosphere side (adjusting)
- Split housing design
- Lowest possible operation gap – lowest leakage
- Dry running
- Self-adjusting seal rings
- Seal rings bear radial shaft movements
- Compensates axial shaft movements
- Short axial installation length
- No sealing components mounted on the shaft and hence no additional shaft vibrations



SERIES LPE WD200 / 500



PART NO.	DESCRIPTION
1	FLAT SEAL
2	HOUSING, 2-PIECE
3	SEAL RING WD500
4	SEAL RING WD500
5	TENSION SPRING WD200
6	TENSION SPRING WD200
7	DETENT WD200
8	DETENT WD200

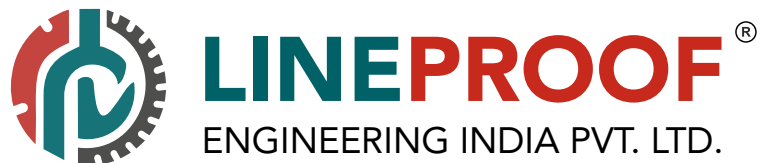
dh6	d1	D	LK	dB	n x ØdB	L1	L2	L3	L4
45.0	50.0	175.0	135.0	15.0	4.0	45.0	55.0	70.0	85.0
50.0	58.0	180.0	140.0	15.0	4.0	45.0	55.0	70.0	85.0
60.0	70.0	190.0	150.0	15.0	4.0	45.0	55.0	70.0	85.0
70.0	80.0	200.0	160.0	15.0	4.0	45.0	55.0	70.0	85.0
80.0	90.0	210.0	170.0	15.0	4.0	45.0	55.0	70.0	85.0
90.0	100.0	220.0	180.0	15.0	4.0	45.0	55.0	70.0	85.0
100.0	110.0	230.0	190.0	15.0	4.0	50.0	60.0	75.0	90.0
110.0	120.0	240.0	200.0	15.0	4.0	50.0	60.0	75.0	90.0
120.0	130.0	250.0	210.0	15.0	4.0	50.0	60.0	75.0	90.0
130.0	140.0	260.0	220.0	15.0	4.0	50.0	60.0	75.0	90.0
140.0	150.0	270.0	230.0	15.0	4.0	50.0	60.0	75.0	90.0
150.0	160.0	280.0	240.0	15.0	4.0	50.0	60.0	75.0	90.0
160.0	170.0	290.0	250.0	15.0	4.0	50.0	60.0	75.0	90.0
170.0	180.0	300.0	260.0	19.0	6.0	50.0	60.0	75.0	90.0
180.0	190.0	310.0	270.0	19.0	6.0	50.0	60.0	75.0	90.0
190.0	200.0	320.0	280.0	19.0	6.0	50.0	60.0	75.0	90.0
200.0	210.0	340.0	290.0	19.0	6.0	50.0	65.0	80.0	95.0
210.0	220.0	350.0	300.0	19.0	6.0	50.0	65.0	80.0	95.0
220.0	230.0	360.0	310.0	19.0	6.0	50.0	65.0	80.0	95.0
230.0	240.0	370.0	320.0	19.0	6.0	50.0	65.0	80.0	95.0
240.0	250.0	380.0	330.0	19.0	6.0	50.0	65.0	80.0	95.0
250.0	260.0	390.0	340.0	19.0	6.0	50.0	65.0	80.0	95.0
260.0	270.0	400.0	350.0	19.0	6.0	50.0	65.0	80.0	95.0
270.0	280.0	410.0	360.0	19.0	6.0	50.0	65.0	80.0	95.0
280.0	290.0	420.0	370.0	19.0	6.0	50.0	65.0	80.0	95.0
290.0	300.0	430.0	380.0	19.0	6.0	50.0	65.0	80.0	95.0
300.0	310.0	440.0	390.0	19.0	6.0	50.0	65.0	80.0	95.0




Follow us on



www.lineproofengg.com



 **VASAI, Maharashtra, INDIA.**

 **For Enquiries**
sales.er@lineproofengg.com
lineproofengg@gmail.com

 **For Suggestions / Feedback**
info@lineproofengg.com

 **Contact No.**
+91 9726057335
+91 9819013772

we are loyal to our customers...

www.lineproofengg.com