



LINEPROOF[®]
ENGINEERING INDIA PVT. LTD.



SERIES LP380 & LP381



we are loyal to our customers...



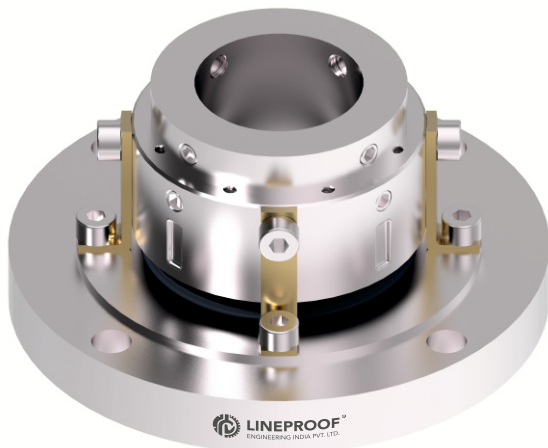
SERIES LP380 & LP381

Dry Running Seal

For Top Entry Agitator, Vessels & Mixer

Single Acting, Independent of Direction of Rotation

Mechanical Seal



STANDARD STYLE

FACE MATERIAL

Carbon, Silicon Carbide

METAL PARTS

SS 316, SS 304, Hastelloy-C
Hastelloy-B, Monel, Alloy-20

SECONDARY SEAL

88B2A/CG : Elastomers, FEP-Multi Spring Seal
LPW 881/CG : Elastomers, FEP-Wave Spring Seal

APPLICATION

- Food Products
- Pharmaceutical Products

SEAL CHARACTERISTICS

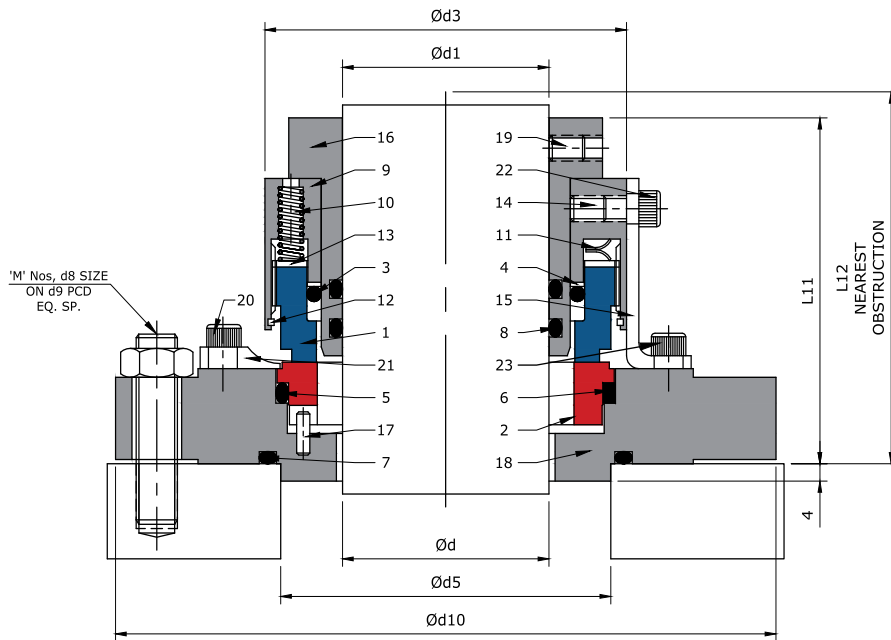
- Single acting
- Reverse Balanced
- Outside Mounted
- Independent of Direction of Rotation
- Dry Running

OPERATING LIMIT

Shaft Diameter d : 15mm...100mm
Pressure p : 10 bar
Temperature t : Amb....120°C
Speed n : 320 rpm



SERIES LP380 & LP381



PART NO.	DESCRIPTION
1	SEAL RING
2	MATING RING
3	O-RING
4	BACKUP RING
5	O-RING
6	PACKING
7	O-RING
8	O-RING
9	RETAINER
10	SPRING
11	WAVE SPRING
12	SNAP RING
13	THRUST RING
14	GRUB SCREW
15	LOCATION PLATE
16	SLEEVE
17	PIN
18	M. R. HOUSING
19	GRUB SCREW
20	ALLEN SCREW
21	M. R. CLAMP
22	ALLEN SCREW
23	ALLEN SCREW

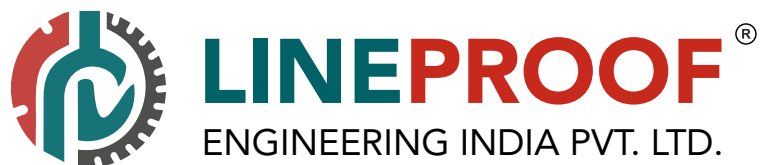
Shaft d	SEAL SIZE	d3	d5	M,d8	d9	d10	L11	L12
	d1 ^{+0.00} _{-0.05}							
	mm							
15.0	25.40	47.5	40.0	4,M8	90.0	105.0	60.0	95.0
20.0	28.58	50.7	45.0	4,M8	95.0	110.0	60.0	95.0
25.0	34.92	58.4	50.0	4,M8	105.0	120.0	65.0	100.0
28.0	34.92	58.4	60.0	4,M10	115.0	135.0	65.0	100.0
30.0	38.10	61.6	60.0	4,M10	115.0	135.0	65.0	100.0
35.0	44.45	71.2	60.0	4,M10	120.0	140.0	80.0	115.0
40.0	50.80	77.5	70.0	4,M10	130.0	150.0	80.0	115.0
45.0	53.98	81.2	75.0	4,M10	130.0	150.0	80.0	115.0
50.0	60.32	87.6	80.0	4,M10	140.0	160.0	80.0	115.0
55.0	63.50	90.8	85.0	4,M10	145.0	165.0	80.0	115.0
60.0	69.85	97.1	90.0	4,M10	150.0	170.0	80.0	115.0
65.0	76.20	103.5	100.0	4,M10	160.0	180.0	80.0	115.0
70.0	79.38	106.6	105.0	4,M10	165.0	185.0	80.0	115.0
75.0	85.72	113.0	110.0	4,M10	170.0	190.0	80.0	115.0
80.0	88.90	116.2	120.0	4,M12	175.0	200.0	80.0	115.0
85.0	95.25	122.5	130.0	4,M12	185.0	210.0	80.0	115.0
90.0	101.60	128.9	140.0	4,M12	185.0	210.0	80.0	115.0
95.0	104.78	132.0	145.0	4,M12	195.0	220.0	85.0	120.0
100.0	111.12	141.1	145.0	4,M12	200.0	225.0	85.0	120.0



Follow us on



www.lineproofengg.com



 **VASAI, Maharashtra, INDIA.**

 **For Enquiries**
sales.er@lineproofengg.com
lineproofengg@gmail.com

 **For Suggestions / Feedback**
info@lineproofengg.com

 **Contact No.**
+91 9726057335
+91 9819013772

we are loyal to our customers...

www.lineproofengg.com