



LINEPROOF[®]
ENGINEERING INDIA PVT. LTD.



SERIES LPMIX 410



we are loyal to our customers...

www.lineproofengg.com



SERIES LPMIX 410

Mechanical Seal / Agitator Seal
Glasslined Reactor Seal
Mechanical Seal



STANDARD STYLE

FACE MATERIAL

Carbon graphite, Silicon carbide

SECONDARY SEAL

metal parts according to application and customer's specifications.

APPLICATION

- Refining technology
- Petrochemical industry
- Chemical industry
- Pharmaceutical industry
- Food and beverage industry
- Agitators
- Mixers
- Reactors

SEAL CHARACTERISTICS

- For top entry drives
- For glass-lined vessels acc. to DIN resp. Non-DIN
- Dry running
- Nitrogen pressurized dual seal
- Balanced
- Multiple springs rotating
- Independent of direction of rotation

OPERATING LIMITS

Shaft Diameter d1 : 40mm...200mm
Pressure p : 6 bar
Temperature t : -20 + 150°C
Velocity v : 2 m/sec

Supply connections

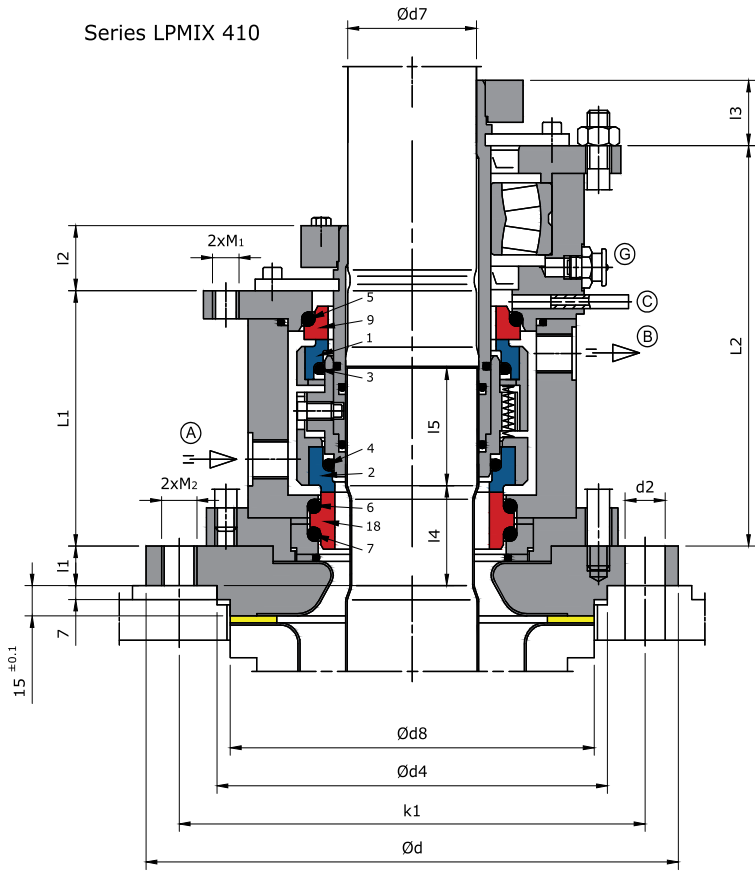
Designation and position acc. to DIN 28138 T3.

A Barrier gas IN
B Barrier gas OUT
C Drainage
E Cooling IN
F Cooling OUT
G Grease
S Flush
T Temperature metering

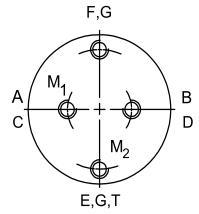


SERIES LPMIX 410

Series LPMIX 410



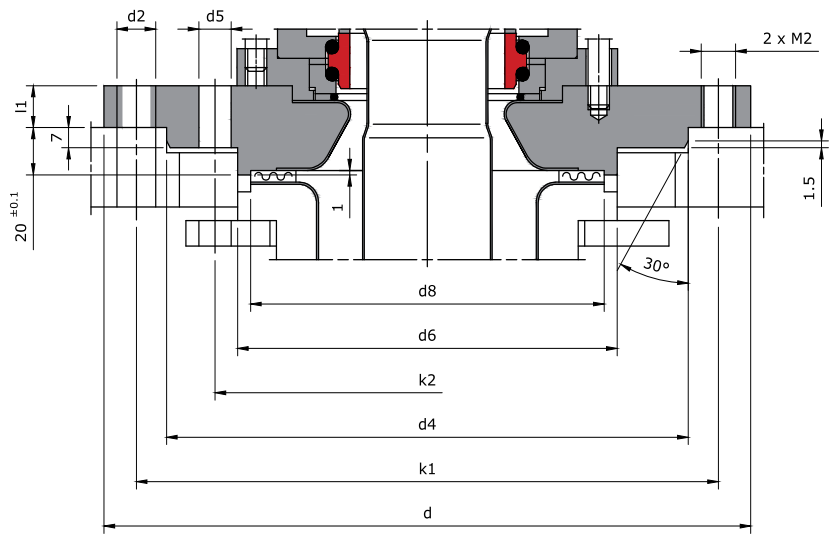
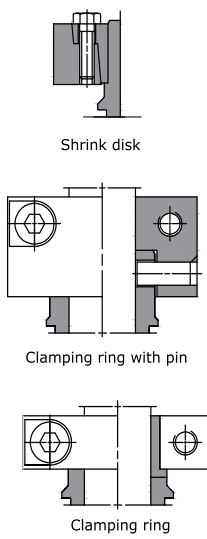
PART NO.	DESCRIPTION
1	SEAL FACE, ATMOSPHERE SIDE
2	SEAL FACE, PRODUCT SIDE
3	O-RING
4	O-RING
5	O-RING
6	O-RING
7	O-RING
8	SEAT PRODUCT SIDE
9	SEAT ATMOSPHERE SIDE



Product variants

- LPMIX 410-D**
Dual seal
- LPMIX 410L-D**
Dual seal with integrated floating bearing.
- LPMIX 410**
Seal designation for adaptations beyond DIN (e.g. unstepped shaft).

Torque transmissions



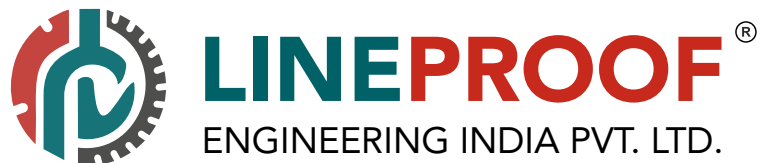
SEAL SIZE	d7	Nominal size	Flange size	d	n x d2	d4	n x d5	d6	d7	K1	K2	L1	L2	I1	I2	I3	I4	I5	M1	M2	A, B
40.0	38.0	40.0	E125	175.0	4x18	110.0	-	-	102.0	145.0	-	142.0	184.0	25.0	35.0	28.0	50.0	50.0	M12	M16	G3/8
50.0	48.0	50.0	E200	240.0	8x18	176.0	-	-	138.0	210.0	-	147.0	195.0	25.0	40.0	28.0	50.0	50.0	M12	M16	G3/8
60.0	58.0	60.0	E250	275.0	8x22	204.0	-	-	188.0	240.0	-	158.0	203.0	25.0	42.0	28.0	50.0	60.0	M12	M20	G3/8
80.0	78.0	80.0	E300	305.0	8x22	234.0	-	-	212.0	270.0	-	170.0	240.0	30.0	45.0	34.0	60.0	60.0	M16	M20	G1/2
100.0	98.0	100.0	E400	395.0	12x22	313.0	-	-	268.0	350.0	-	177.0	240.0	30.0	52.0	34.0	60.0	60.0	M16	M20	G1/2
100.0	98.0	100.0	E500	395.0	12x22	313.0	-	-	268.0	350.0	-	177.0	240.0	30.0	52.0	34.0	60.0	60.0	M16	M20	G1/2
125.0	120.0	125.0	E700	505.0	4x22	422.0	12x22	320.0	306.0	460.0	350.0	208.0	266.0	30.0	75.0	40.0	60.0	80.0	M20	M20	G1/2
140.0	135.0	140.0	E700	505.0	4x22	422.0	12x22	320.0	306.0	460.0	350.0	223.0	282.0	30.0	79.0	40.0	60.0	80.0	M20	M20	G1/2
160.0	150.0	160.0	E700	505.0	4x22	422.0	12x22	320.0	306.0	460.0	350.0	228.0	282.0	30.0	77.0	40.0	60.0	85.0	M20	M20	G1/2
160.0	150.0	160.0	E900	505.0	4x22	422.0	12x22	320.0	306.0	460.0	350.0	228.0	282.0	30.0	77.0	40.0	60.0	85.0	M20	M20	G1/2
160.0	150.0	161.0	E901	565.0	4x26	474.0	12x22	370.0	356.0	515.0	400.0	228.0	282.0	30.0	77.0	40.0	60.0	85.0	M20	M20	G1/2




Follow us on



www.lineproofengg.com



 **VASAI, Maharashtra, INDIA.**

 **For Enquiries**
sales.er@lineproofengg.com
lineproofengg@gmail.com

 **For Suggestions / Feedback**
info@lineproofengg.com

 **Contact No.**
+91 9726057335
+91 9819013772

we are loyal to our customers...

www.lineproofengg.com