



LINEPROOF[®]
ENGINEERING INDIA PVT. LTD.



SERIES LP95VK



we are loyal to our customers...

www.lineproofengg.com



SERIES LP95VK

Mechanical Seals / Mechanical Seals for Pump / Pusher Mechanical Seal



STANDARD STYLE

FACE MATERIAL

Silicon carbide, Carbon graphite

METAL PARTS

SS 316, SS 304,

SECONDARY SEAL

EPDM, NBR, FKM, FFKM

APPLICATION

- Oil and gas industry
- Refining technology
- Petrochemical industry
- Power plant technology
- Light volatile and highly viscous hydrocarbons
- API 610/ISO 13709 pumps
- Process pumps

SEAL CHARACTERISTICS

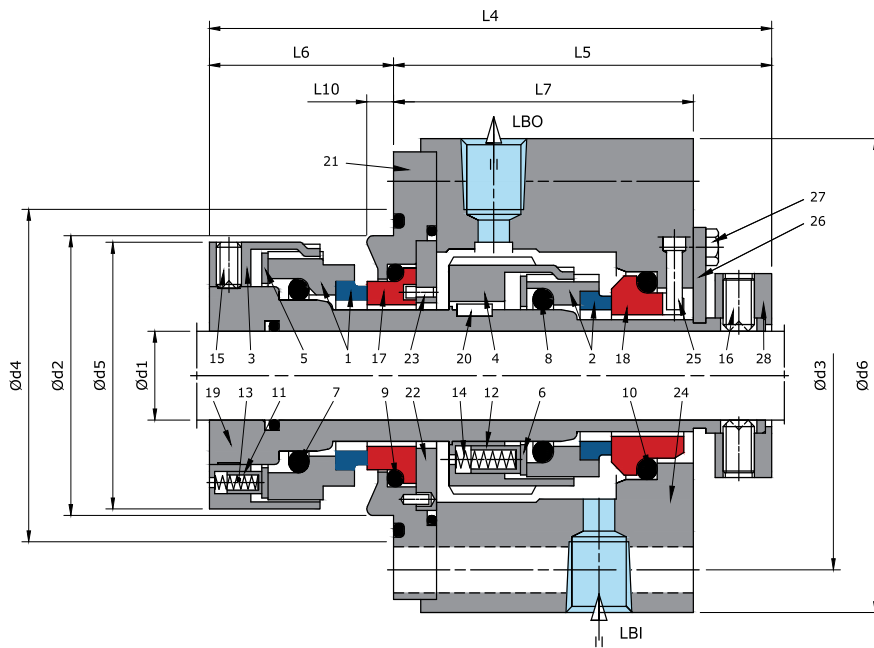
- Dual seal
- Cartridge unit
- Design acc. to API 682/ISO 21049
- Category 2 and 3, Type A, Arrangement 2 or 3
- Bi-directional design available
- Rotating multiple springs
- Integrated pumping device
- Suitable for pressure reversals

OPERATING LIMIT

Shaft Diameter d1 : 20mm...110mm
Pressure p : 40 bar
Temperature t : -40 +220°C
Velocity v : 23 m/sec

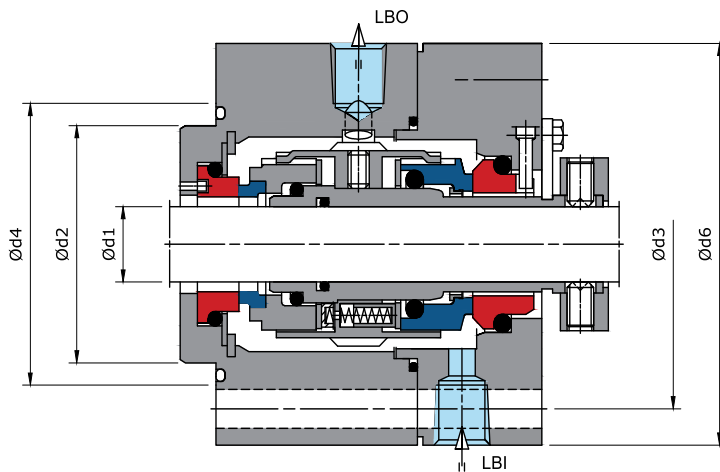


SERIES LP95VK



PART NO.	DESCRIPTION
1	SEAL FACE
2	SEAL FACE
3	DRIVE COLLAR
4	DRIVE COLLAR
5	THRUST RING
6	THRUST RING
7	O-RING
8	O-RING
9	O-RING
10	O-RING
11	SLEEVE
12	SLEEVE
13	SPRING
14	SPRING
15	SET SCREW
16	SET SCREW
17	SEAT
18	SEAT
19	SHAFT SLEEVE
20	KEY
21	RETAINER
22	WASHER
23	PIN
24	HOUSING
25	HSH CAP SCREW
26	ASSEMBLY FIXTURE
27	HEXAGON BOLT
28	SET RING

LP95VK-D
Dual seal in back-to-back arrangement. Suitable for API 610 table 6 seal chambers.



SEAL SIZE		d2	d3	d4	d5	d6	L4	L5	L6	L7	L11
d1	mm										
20.0		70.0	105.0	85.0	60.0	129.0	144.0	97.0	47.0	81.0	6.0
30.0		80.0	115.0	95.0	70.0	139.0	145.5	96.0	49.5	77.5	8.0
40.0		90.0	125.0	105.0	82.0	149.0	146.5	96.5	50.0	78.0	8.0
50.0		100.0	140.0	115.0	94.0	168.0	158.0	106.5	51.5	88.0	10.5
60.0		120.0	160.0	135.0	114.0	188.0	165.0	107.5	57.5	90.2	4.5
70.0		130.0	170.0	145.0	124.0	198.0	170.0	107.5	62.5	85.0	10.0
80.0		140.0	180.0	155.0	134.0	208.0	175.0	107.5	67.5	85.0	12.5
90.0		160.0	205.0	175.0	146.0	238.0	178.8	116.9	61.9	94.4	6.9
100.0		170.0	215.0	185.0	163.0	248.0	185.0	117.5	67.5	92.0	11.5
110.0		180.0	225.0	195.0	173.0	258.0	188.0	116.5	71.5	91.0	15.5



Follow us on



www.lineproofengg.com



LINEPROOF[®]
ENGINEERING INDIA PVT. LTD.



VASAI, Maharashtra, INDIA.



For Enquiries

sales.er@lineproofengg.com
lineproofengg@gmail.com



For Suggestions / Feedback

info@lineproofengg.com



Contact No.

+91 9726057335
+91 9819013772

we are loyal to our customers...

www.lineproofengg.com