



**LINEPROOF**<sup>®</sup>  
ENGINEERING INDIA PVT. LTD.



## **SERIES LP95VN**



*we are loyal to our customers...*

[www.lineproofengg.com](http://www.lineproofengg.com)



## SERIES LP95VN

### Mechanical Seals / Mechanical Seals for Pump / Pusher Mechanical Seal



#### STANDARD STYLE

#### FACE MATERIAL

Silicon carbide, Carbon graphite

#### METAL PARTS

SS 316, SS 304,

#### SECONDARY SEAL

EPDM, NBR, FKM, FFKM

#### APPLICATION

- Process industry
- Oil and gas industry
- Refining technology
- Petrochemical industry
- Power plant technology
- Hot water
- Light hydrocarbons
- API 610/ISO 13709 pumps
- Process pumps

#### SEAL CHARACTERISTICS

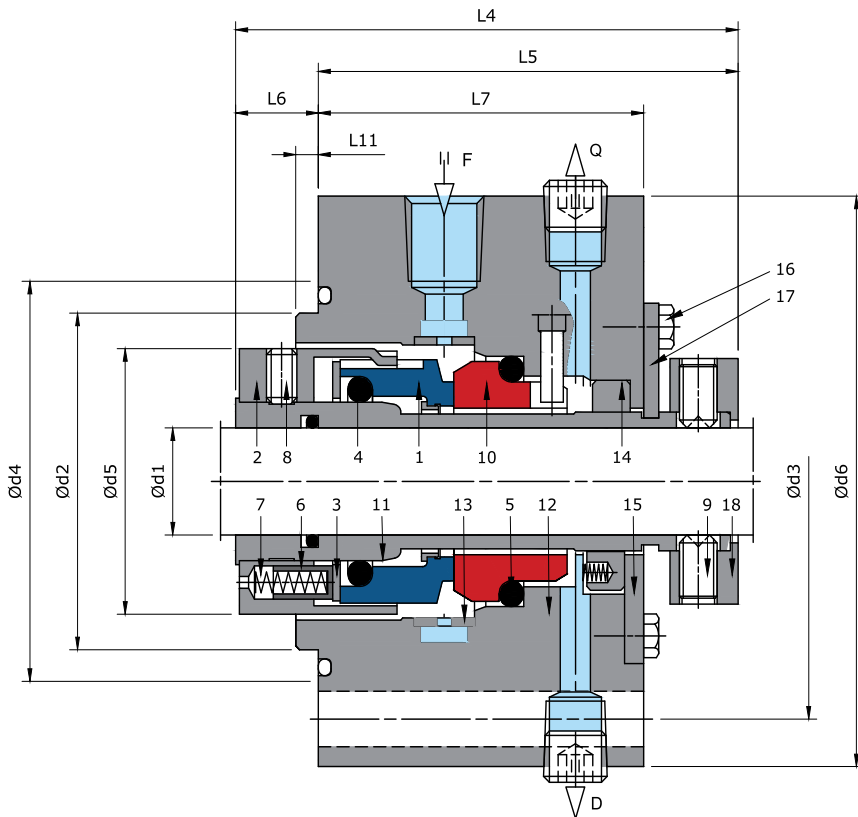
- Single seal
- Cartridge unit available
- Design acc. to API 682/ISO 21049
- Category 2 and 3, Type A, Arrangement 1
- Independent of direction of rotation
- Rotating multiple springs
- Integrated pumping device available (H75VP)

#### OPERATING LIMIT

Shaft Diameter	d1 : 20mm...110mm
Pressure	p : 40 bar
Temperature	t : -40 +220°C
Velocity	v : 23 m/sec



# SERIES LP95VN



PART NO.	DESCRIPTION
1	SEAL FACE
2	DRIVE COLLAR
3	THRUST RING
4	O-RING
5	O-RING
6	SLEEVE
7	SPRING
8	SET SCREW
9	SET SCREW
10	SEAT
11	SHAFT SLEEVE
12	HOUSING
13	INSERT
14	THROTTLE RING
15	WASHER
16	ASSEMBLY FIXTURE
17	HEXAGON BOLT
18	SET RING

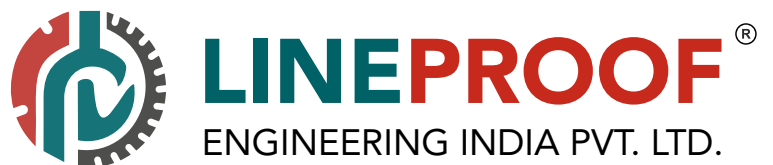
SEAL SIZE	d1	d2	d3	d4	d5	d6	L4	L5	L6	L7	L11	OVERALL LENGTH
	mm											
	20.0	70.0	105.0	85.0	50.0	138.0	95.0	94.0	1.0	76.0	6.0	100.0
	30.0	80.0	115.0	95.0	62.0	148.0	100.5	98.0	2.5	77.0	6.0	104.0
	40.0	90.0	125.0	105.0	72.0	158.0	105.5	98.5	7.0	77.5	6.0	125.0
	50.0	100.0	140.0	115.0	86.0	168.0	111.5	99.5	12.0	78.5	6.0	140.0
	60.0	120.0	160.0	135.0	99.0	188.0	120.5	102.0	18.5	81.0	6.0	160.0
	70.0	130.0	170.0	145.0	109.0	198.0	124.5	106.0	18.0	81.0	6.0	170.0
	80.0	140.0	180.0	155.0	119.0	208.0	129.0	106.0	23.0	81.0	6.0	180.0
	90.0	160.0	205.0	175.0	129.0	238.0	129.0	106.0	23.0	81.0	6.0	205.0
	100.0	170.0	215.0	185.0	153.0	248.0	133.0	109.0	24.0	81.0	6.0	215.0
	110.0	180.0	225.0	195.0	168.0	258.0	133.0	109.0	24.0	81.0	6.0	225.0



Follow us on



[www.lineproofengg.com](http://www.lineproofengg.com)



 **VASAI, Maharashtra, INDIA.**

 **For Enquiries**  
[sales.er@lineproofengg.com](mailto:sales.er@lineproofengg.com)  
[lineproofengg@gmail.com](mailto:lineproofengg@gmail.com)

 **For Suggestions / Feedback**  
[info@lineproofengg.com](mailto:info@lineproofengg.com)

 **Contact No.**  
+91 9726057335  
+91 9819013772

*we are loyal to our customers...*

[www.lineproofengg.com](http://www.lineproofengg.com)