



LINEPROOF[®]
ENGINEERING INDIA PVT. LTD.



SERIES LPMIX 400



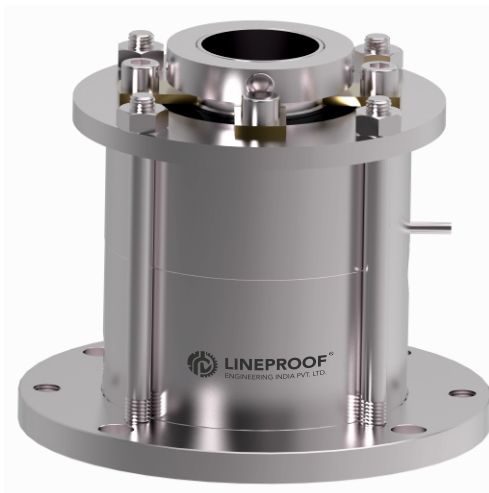
we are loyal to our customers...

www.lineproofengg.com



SERIES LPMIX 400

Mechanical Seal / Agitator Seal
Dry Running Seal
Mechanical Seal



STANDARD STYLE

FACE MATERIAL

Carbon graphite, Silicon carbide

METAL PARTS

metal parts according to application and customer's specifications.

APPLICATION

- Refining technology
- Petrochemical industry
- Chemical industry
- Pharmaceutical industry
- Food and beverage industry
- Agitators
- Mixers
- Reactors

SEAL CHARACTERISTICS

- For top entry drives
- For steel vessels acc. to DIN resp. Non-DIN
- Nitrogen pressurized dual seal, single seal optional
- Balanced
- Independent of direction of rotation
- Multiple springs rotating
- Dry running
- Cartridge unit

OPERATING LIMITS

Shaft Diameter d1 : 40mm...200mm
Pressure p : 6 bar
Temperature t : -20 + 150°C
Velocity v : 2 m/sec

Supply connections

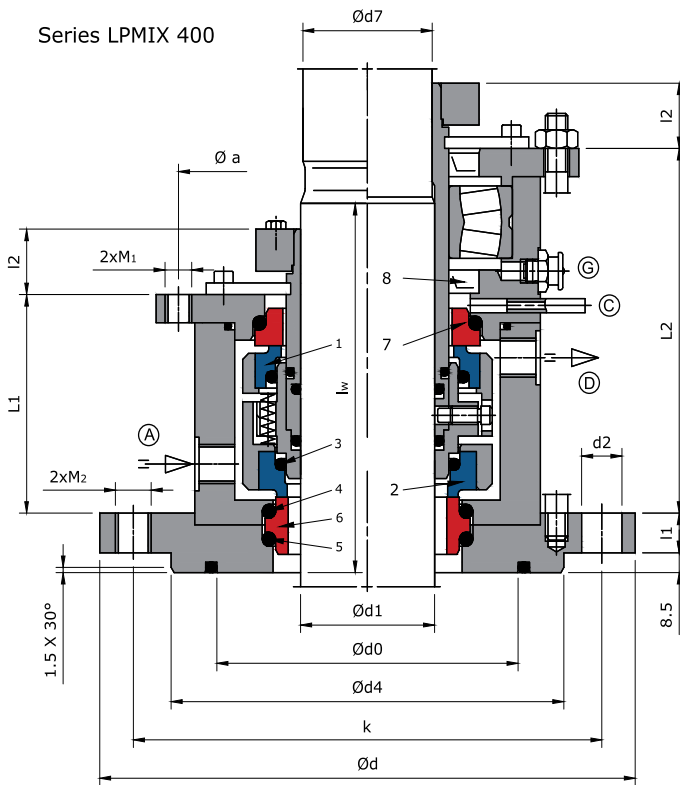
Designation and position acc. to DIN 28138 T3.

A Barrier gas IN
B Barrier gas OUT
C Drainage
E Cooling IN
F Cooling OUT
G Grease
S Flush
T Temperature metering

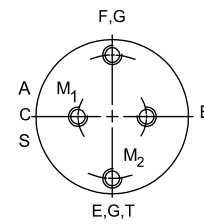
For reasons of standardization, the supply connections of single seals are matched to those of the double seals.



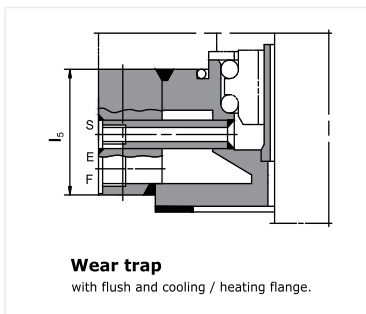
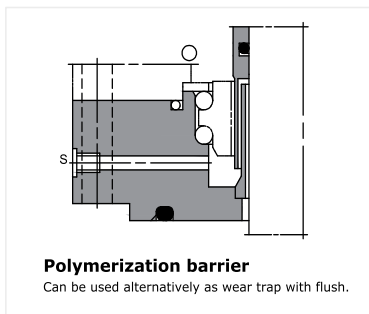
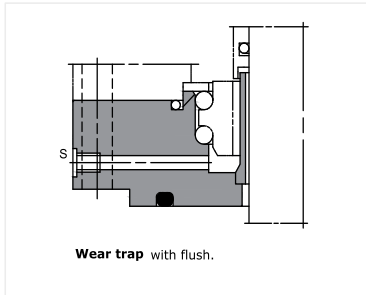
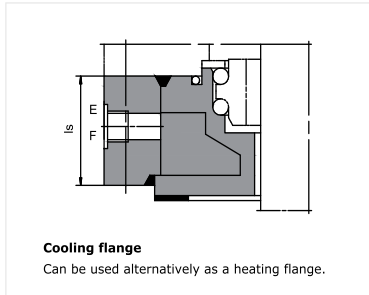
SERIES LPMIX 400



PART NO.	DESCRIPTION
1	SEAL FACE, ATMOSPHERE SIDE
2	SEAL FACE, PRODUCT SIDE
3	O-RING
4	O-RING
5	O-RING
6	SEAT PRODUCT SIDE
7	SEAT ATMOSPHERE SIDE
8	LIP SEAL



Options

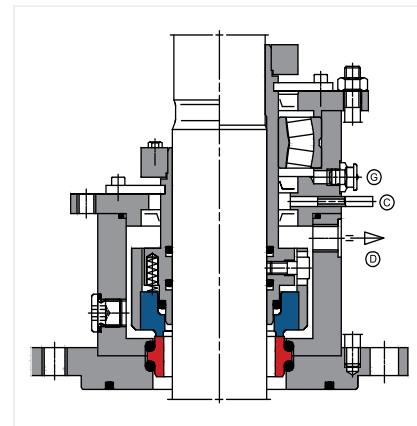


Product variants

LPMIX 400
Single seal.

LPMIX 400L
Single seal with integrated floating bearing.

LPMIX 400
All types of the LPMIX 400 range are also available for unstepped shafts. Seal identification: LPMIX 400L... Customized design or e.g. different torque transmissions are available.



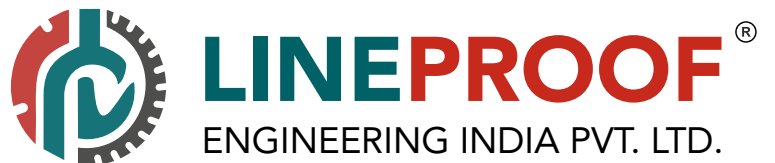
SEAL SIZE $d1^{+0.00}_{-0.05}$ mm	d7	d	n x d2	d4	d0	k	L1	L2	l _w	l1	l2	a	M1	M2	A, B
40.0	38.0	175.0	4x18	110.0	90.0	145.0	87.0	136.0	143.0	15.0	28.0	122.0	M12	M16	G3/8
50.0	48.0	240.0	8x18	176.0	135.0	210.0	89.0	149.0	148.0	17.0	28.0	157.0	M12	M16	G3/8
60.0	58.0	240.0	8x18	176.0	135.0	210.0	93.5	156.0	158.0	17.0	28.0	168.0	M12	M16	G3/8
80.0	78.0	275.0	8x22	204.0	155.0	240.0	104.5	189.0	168.0	20.0	34.0	203.0	M16	M20	G1/2
100.0	98.0	305.0	8x22	234.0	190.0	270.0	109.0	190.0	178.0	20.0	34.0	228.0	M16	M20	G1/2
125.0	120.0	330.0	8x22	260.0	215.0	295.0	110.0	205.0	203.0	20.0	40.0	268.0	M20	M20	G1/2
140.0	135.0	395.0	12x22	313.0	250.0	350.0	124.0	222.0	208.0	20.0	40.0	285.0	M20	M20	G1/2
160.0	150.0	395.0	12x22	313.0	265.0	350.0	127.5	219.5	213.0	25.0	40.0	297.0	M20	M20	G1/2
180.0	170.0	445.0	12x22	364.0	310.0	400.0	132.5	230.0	233.0	25.0	45.0	332.0	M24	M20	G1/2
200.0	190.0	445.0	12x22	364.0	310.0	400.0	137.5	237.5	243.0	25.0	45.0	352.0	M24	M20	G1/2
220.0	210.0	505.0	16x22	422.0	340.0	460.0	149.5	249.5	263.0	25.0	50.0	381.0	M24	M20	G1/2



Follow us on



www.lineproofengg.com



 **VASAI, Maharashtra, INDIA.**

 **For Enquiries**
sales.er@lineproofengg.com
lineproofengg@gmail.com

 **For Suggestions / Feedback**
info@lineproofengg.com

 **Contact No.**
+91 9726057335
+91 9819013772

we are loyal to our customers...

www.lineproofengg.com