



**LINEPROOF**<sup>®</sup>  
ENGINEERING INDIA PVT. LTD.



## **SERIES LP385**



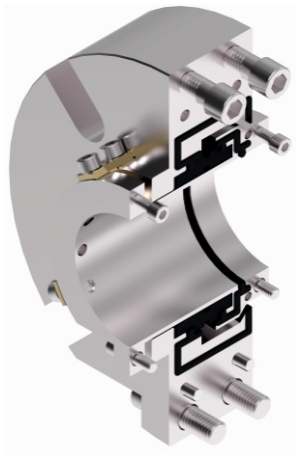
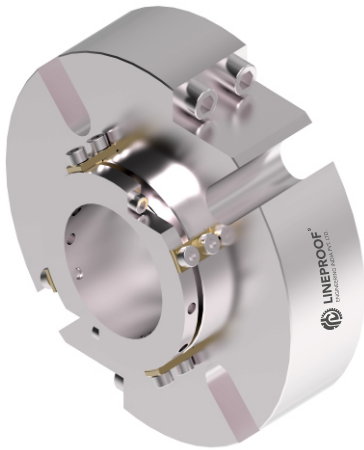
*we are loyal to our customers...*

[www.lineproofengg.com](http://www.lineproofengg.com)



## SERIES LP385

### Mechanical Seals / Mechanical Seals for Pump / Standard Cartridge Seals Mechanical Seal



#### STANDARD STYLE

#### FACE MATERIAL

Silicon carbide, carbon

#### METAL PARTS

SS 316L, Duplex

#### SECONDARY SEAL

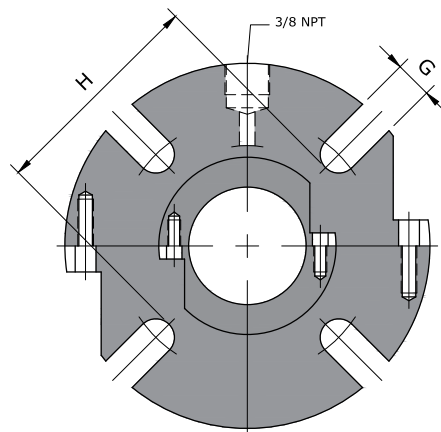
VITON, AFLAS

#### APPLICATION

- Chemical Processing
- Food Processing
- Industry
- Mining
- Pharmaceutical
- Power Generation
- Petrochemical
- Pulp and Paper
- Refining
- Water and waste Management

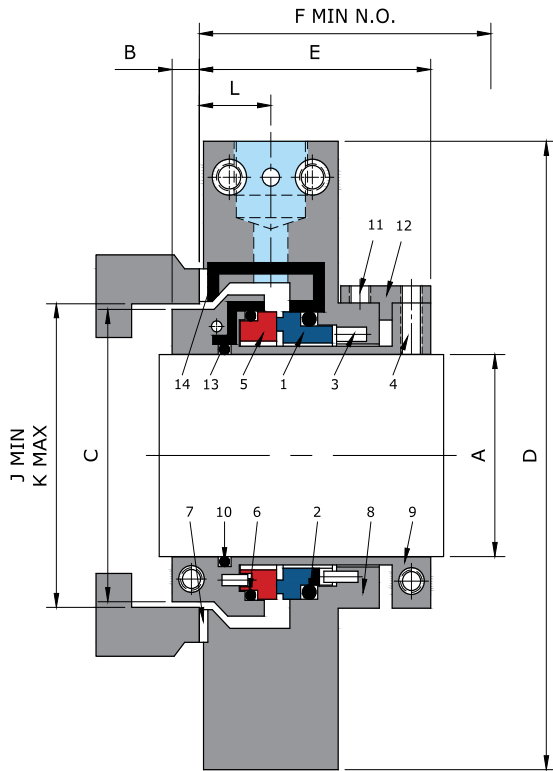
#### OPERATING LIMIT

Shaft Diameter	d1	: 45mm...219mm
Pressure	p	: 17 bar
Temperature	t	: 175°C
Speed	v	: 3600 RPM





# SERIES LP385



PART NO.	DESCRIPTION
1	SEAL RING
2	O-RING
3	SPRING
4	SET SCREW
5	SEAT
6	O-RING
7	GASKET
8	GLAND PLATE
9	SLEEVE
10	O-RING
11	ALLEN CAP SCREW
12	ASSEMBLY FIX.
13	GASKET
14	GASKET

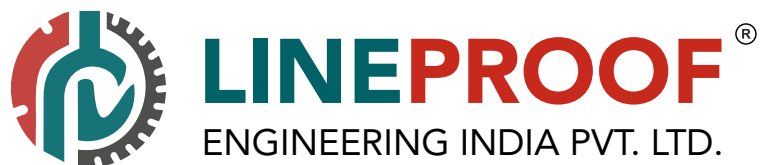
SEAL SIZE	B	C	D	E	F	G	H	J	K	L
A +0.00 -0.05										
mm										
45.0	6.35	65.1	140.0	54.0	64.0	14.3	84.9	66.68	76.20	16.7
48.0	6.35	68.2	140.0	54.0	64.0	14.3	90.5	68.85	79.38	16.7
50.0	6.35	68.2	140.0	54.0	64.0	14.3	90.5	68.85	79.38	16.7
55.0	6.35	77.8	159.0	54.0	64.0	17.4	100.0	79.40	88.90	16.7
60.0	6.35	81.0	165.0	54.0	64.0	17.4	104.8	85.73	95.25	16.7
62.0	6.35	81.0	165.0	54.0	64.0	17.4	104.8	85.73	95.25	16.7
65.0	6.35	85.0	165.0	54.0	64.0	17.4	112.8	88.90	98.40	16.7
68.0	6.35	90.5	169.0	54.0	64.0	17.4	112.8	92.08	104.78	16.7
70.0	6.35	90.5	197.0	54.0	64.0	17.4	112.8	92.08	104.77	16.7
71.0	6.35	93.6	198.0	54.0	64.0	17.4	122.2	96.80	107.90	16.7
75.0	6.35	96.8	203.0	54.0	64.0	17.4	125.4	100.0	111.10	16.7
80.0	7.14	106.4	210.0	62.0	72.0	20.6	131.8	108.0	120.65	20.6
87.0	7.14	112.7	216.0	62.0	72.0	20.6	138.1	114.30	127.0	20.6
90.0	7.14	115.9	219.0	62.0	72.0	20.6	141.3	117.50	130.20	20.6
95.0	7.14	117.5	222.0	62.0	72.0	20.6	144.5	119.05	130.18	20.6
100.0	7.14	125.4	224.0	62.0	72.0	20.6	147.6	127.0	136.52	20.6
110.0	7.14	135.0	235.0	62.0	72.0	20.6	163.5	136.50	149.20	20.6
115.0	7.14	140.5	248.0	62.0	72.0	20.6	173.0	142.90	155.60	20.6
120.0	7.14	143.7	248.0	62.0	72.0	20.6	176.2	146.05	158.75	20.6
125.0	9.5	157.2	273.0	77.8	96.8	23.8	185.7	160.30	171.40	23.4
140.0	9.5	169.9	292.0	78.0	97.0	23.8	198.4	173.0	184.10	23.4
145.0	9.5	176.2	305.0	77.8	96.8	23.8	207.2	179.4	193.70	23.4
150.0	9.5	182.6	311.0	77.8	96.8	23.8	214.3	185.70	200.0	23.4
160.0	9.5	195.3	311.0	77.8	96.8	23.8	223.8	198.40	212.7	23.4
180.0	9.5	214.3	343.0	82.6	101.6	23.8	247.6	217.50	231.80	23.4
219.0	9.5	250.8	432.0	82.6	101.6	31.7	285.8	254.0	269.90	23.4



Follow us on



[www.lineproofengg.com](http://www.lineproofengg.com)



 **VASAI, Maharashtra, INDIA.**

 **For Enquiries**  
[sales.er@lineproofengg.com](mailto:sales.er@lineproofengg.com)  
[lineproofengg@gmail.com](mailto:lineproofengg@gmail.com)

 **For Suggestions / Feedback**  
[info@lineproofengg.com](mailto:info@lineproofengg.com)

 **Contact No.**  
+91 9726057335  
+91 9819013772

*we are loyal to our customers...*

[www.lineproofengg.com](http://www.lineproofengg.com)