



LINEPROOF[®]
ENGINEERING INDIA PVT. LTD.



SERIES LP200



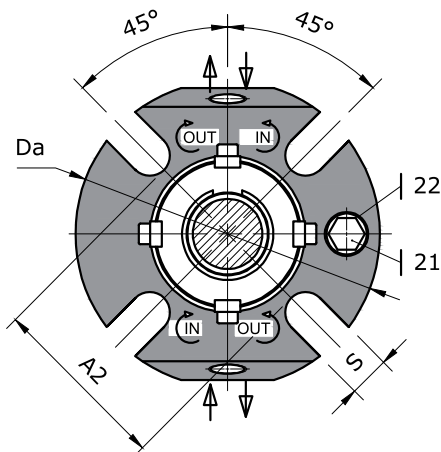
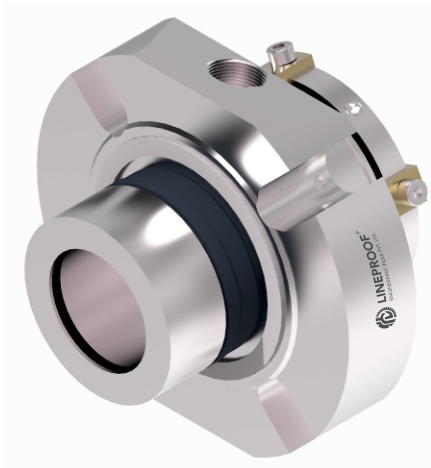
we are loyal to our customers...

www.lineproofengg.com



SERIES LP201

Mechanical Seals / Mechanical Seals for Pump / Standard Cartridge Seals Mechanical Seal



Machined cover version

STANDARD STYLE

FACE MATERIAL

Silicon carbide, graphite resin impregnated, Tungsten carbide

METAL PARTS

SS 316, SS 304,

SECONDARY SEAL

EPDM, FKM, FFKM, PTFE

SEAL CHARACTERISTICS

- Dual seal
- Cartridge
- Balanced
- Independent of direction of rotation
- Double pressure balanced
- Integrated pumping device
- Variant for eccentric screw pumps available (-Vario)

APPLICATION

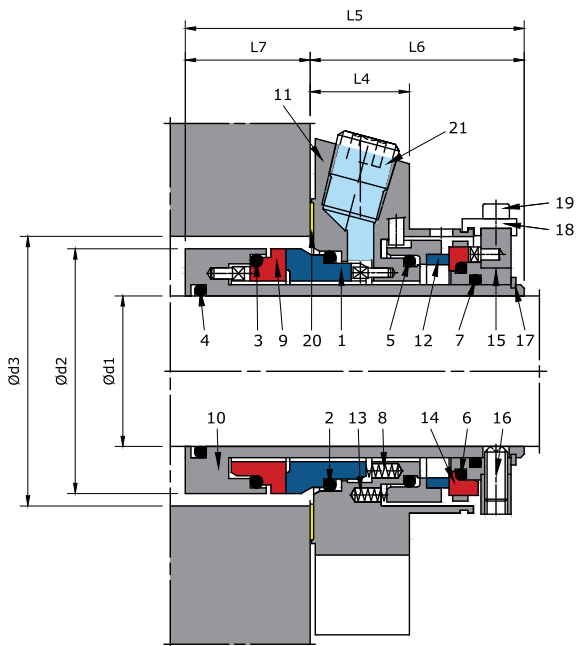
- Petrochemical industry
- Chemical industry
- Pharmaceutical industry
- Power plant technology
- Pulp and paper industry
- Mining industry
- Food and beverage industry
- Sugar industry
- Centrifugal pumps
- Eccentric screw pumps
- Universally applicable

OPERATING LIMIT

Shaft Diameter	d1 : 25mm...100mm
Pressure	p : 25 bar
Temperature	t : -40 +220°C
Velocity	v : 16 m/sec



SERIES LP201



PART NO.	DESCRIPTION
1	SEAL FACE
2	O-RING
3	O-RING
4	O-RING
5	O-RING
6	O-RING
7	O-RING
8	SPRING
9	SEAT
10	SHAFT SLEEVE
11	COVER
12	SEAL FACE
13	SPRING
14	SEAT
15	DRIVE COLLAR
16	SET SCREW
17	SNAP RING
18	ASSEMBLY FIXTURE (REMOVE AFTER INSTALLATION)
19	HSH CAP SCREW
20	GASKET
21	SCREW PLUG

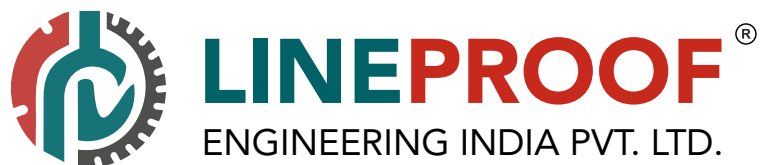
SEAL SIZE +0.00 d1 ^{-0.05}	d2	d3 _{min.}	d3 _{max.}	L4	L5	L6	L7	A2	Da	S
mm										
25.0	43.0	44.0	51.5	25.4	86.5	53.4	33.1	62.0	105.0	13.2
28.0	46.0	47.0	52.0	25.4	86.5	53.4	33.1	61.0	105.0	13.2
30.0	48.0	49.0	56.0	25.4	86.5	53.4	33.1	67.0	105.0	13.2
32.0	49.8	51.0	57.0	25.4	86.5	53.4	33.1	70.0	108.0	13.2
33.0	49.8	51.0	57.0	25.4	86.5	53.4	33.1	70.0	108.0	13.2
35.0	53.0	54.0	61.5	25.4	86.5	53.4	33.1	72.0	113.0	13.2
38.0	56.0	57.0	66.0	25.4	86.5	53.4	33.1	75.0	123.0	13.2
40.0	58.0	59.0	68.0	25.4	86.5	53.4	33.1	77.0	123.0	14.2
42.0	60.5	61.5	69.5	25.4	86.5	53.4	33.1	80.0	133.0	14.2
43.0	60.5	61.5	70.5	25.4	86.5	53.4	33.1	80.0	133.0	14.2
45.0	62.5	64.0	73.0	25.4	86.5	53.4	33.1	82.0	138.0	14.2
48.0	65.6	67.0	75.0	25.4	86.5	53.4	33.1	85.0	138.0	14.2
50.0	68.0	69.0	78.0	25.4	86.5	53.4	33.1	87.0	148.0	14.2
53.0	72.0	73.0	87.0	25.4	86.5	53.4	33.1	97.0	148.0	18.0
55.0	73.0	74.0	83.0	25.4	86.5	53.4	33.1	92.0	148.0	18.0
60.0	78.0	79.0	91.0	25.4	86.5	53.4	33.1	102.0	157.0	18.0
65.0	84.8	85.7	98.5	25.4	86.5	53.4	33.1	109.0	163.0	18.0
70.0	93.0	95.0	108.0	25.4	86.5	53.4	33.1	118.0	178.0	18.0
75.0	100.0	101.6	118.0	28.0	108.0	63.9	44.1	129.0	190.0	18.0
80.0	106.4	108.0	124.0	28.0	108.0	63.9	44.1	135.0	195.0	18.0
85.0	109.5	111.1	128.0	28.0	108.0	63.9	44.1	139.0	198.0	22.0
90.0	115.9	117.5	135.0	28.0	108.0	63.9	44.1	145.0	205.0	22.0
95.0	119.1	120.7	138.0	28.0	108.0	63.9	44.1	148.0	208.0	22.0
100.0	125.4	127.0	144.0	28.0	108.0	63.9	44.1	154.0	218.0	22.0



Follow us on



www.lineproofengg.com



 **VASAI, Maharashtra, INDIA.**

 **For Enquiries**
sales.er@lineproofengg.com
lineproofengg@gmail.com

 **For Suggestions / Feedback**
info@lineproofengg.com

 **Contact No.**
+91 9726057335
+91 9819013772

we are loyal to our customers...

www.lineproofengg.com